

# SPECIFICATIONS

## TURTLE FILES



**FIREPROOF INSULATION** is 100% gypsum, reinforced by a 1" by 2" lattice made of 14-gauge galvanized welded steel wire, providing complete peace of mind from fire, impact, or explosion.

**FIELD REPLACEABLE STEEL PANELS** can easily be replaced in the event that any panel is damaged.

**FINISH** is an environmentally-friendly electrostatic powder coating applied to all sides, including bottom. The parchment color finish is scratch-resistant, providing a lifetime quality appearance.

**DRAWER BODIES** are built with high sides for use with hanging folders – no additional frames are needed.

**DRAWER SUSPENSIONS** are maintenance free.

**DRAWER LOCKS** are 4-pin key locks.

**DRAWER PULLS** are recessed for best space utilization.

**INSULATION BETWEEN ALL DRAWERS** makes each drawer a separate insulated container.

**WATER RESISTANCE** means files are designed to prevent water damage resulting from sprinklers and fire hoses.

**2-POSITION DRAWER CATCH** allows access to certain drawers while others remain locked.

**DRAWER HEADS** are formed of welded steel and filled with fireproof insulation, and are field replaceable.

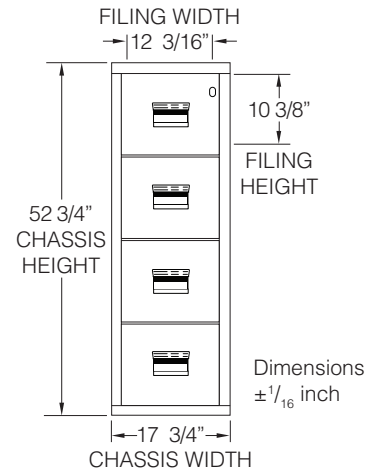
**UNDERWRITERS LABORATORIES® (UL®) FIRE & IMPACT RATING** on all file cabinets. These models carry the 1-Hour Class 350 Fire with Impact UL label. Tests include 1 hour exterior fire exposure at 1700°F, a 2000°F explosion test, and a 30 foot drop to test impact integrity.

**OPTIONAL UPGRADES** available include casters.

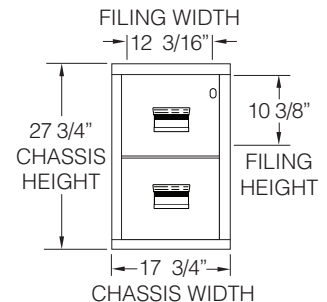
**FIREKING'S 3-YEAR LIMITED WARRANTY** includes parts and labor provided by a factory authorized technician. Beyond the base warranty, if your FireKing file is ever required to protect your documents in a fire and its protective properties are damaged, FireKing will replace the file free of charge.



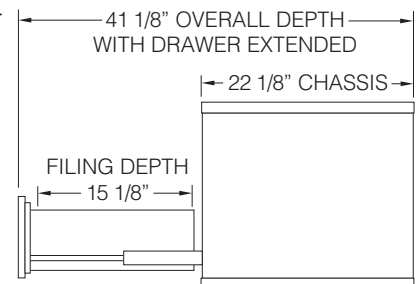
**MODEL 4R1822-C:**  
435 lbs (avg. ship wt.)



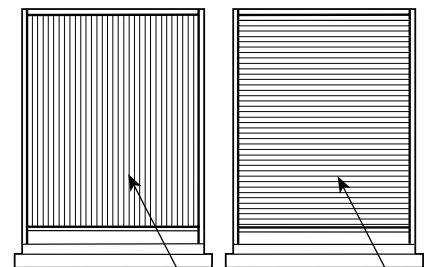
**MODEL 2R1822-C:**  
251 lbs (avg. ship wt.)



### SIDE VIEW:



### Filing Arrangements:



LEGAL FILING  
SIDE TO SIDE

LETTER FILING  
FRONT TO BACK

REV 11/19/07



FireKing Security Group  
101 Security Pkwy • New Albany IN 47150  
800.457.2424 / 812.948.8400  
www.fireking.com